

Profiles, corner profiles and dog bones are made of drawn glassfiber reinforced epoxy. The material is approved for temperatures up to 180°C. Used as a structural component and electrical insulation for a wide range of applications. Spacer material for transformers, etc.



Typical applications

The profiles are suitable for a wide range of applications within the electrical and mechanical areas such as spacers, electrical insulation components/spacers, etc. Transformers are a typical application area.

Properties

- Very good mechanical properties
- Low moisture absorption
- Very good thermal properties Class H
- Very high CTI value (Comparative Tracking Index)
- High heat resistance 180°C
- High chemical resistance
- Resistant against most impregnation varnishes
- Good dielectric properties

Composition

Drawn glassfiber reinforced epoxy.

Colour

Yellowish white to white hue.

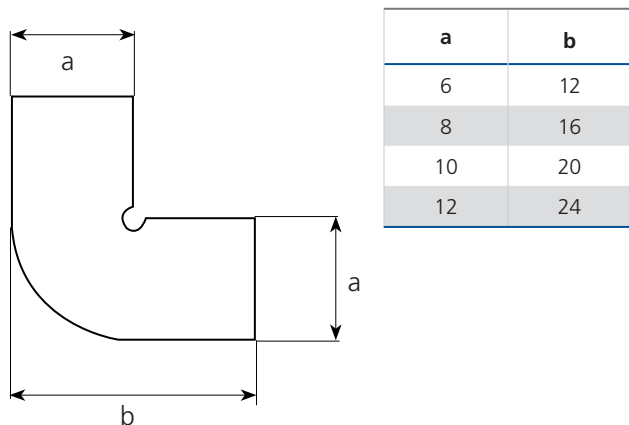
Dimensioner

- Dimensions as shown in drawing below
 - Produced in lengths of 2500 mm
- For larger volumes we can offer cut profiles on request.

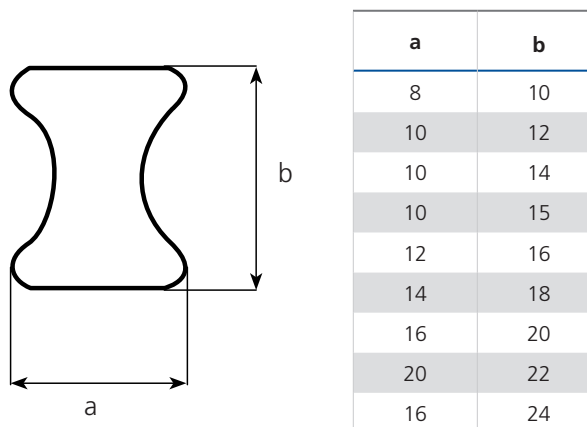
Packaging

Sold individually. Usually non stock order item.

Corner profiles



Dogbones



Technical data

Properties	Value	Unit
Mechanical		
Density	1.8 - 2.15	g/cm ³
Flexural strength perpendicular at +23°C – ±2°C	>700	N/mm ²
Flexural strength perpendicular at +130°C – ±2°C	>70	N/mm ²
Compressive strength perpendicular	>250	N/mm ²
Tensile strength	>600	N/mm ²
Impact strength parallel with laminations	≥350	kJ/m ²
Water absorption	≤0.1	%
Flame resistance	FV0	Class
Thermal		
Temperature endurance (Temperature index)	180	T.I
Electrical		
Dielectric strength fiber direction (25 mm)	>45	kV
Creep voltage strength	600	CTI
Resistivity surface	≥1x10 ¹¹	Ω
Resistivity volume	≥1x10 ¹²	Ω

How to contact BEVI

Contact details for all countries are continually updated on our website.
Please visit www.bevi.com to access the information direct.

BEVI AB (Headquarters)
Blomstermåla, Sweden
Tel. +46 499 271 00
info@bevi.se

