



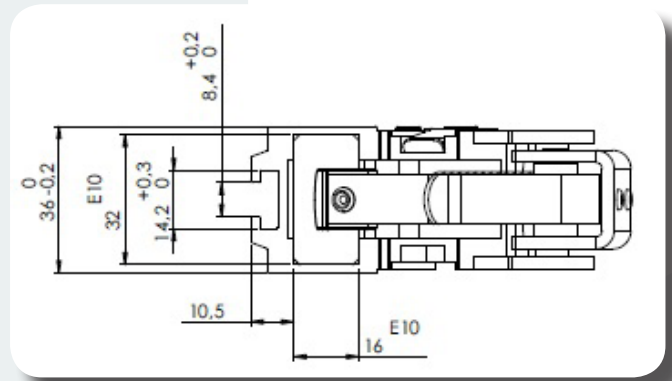
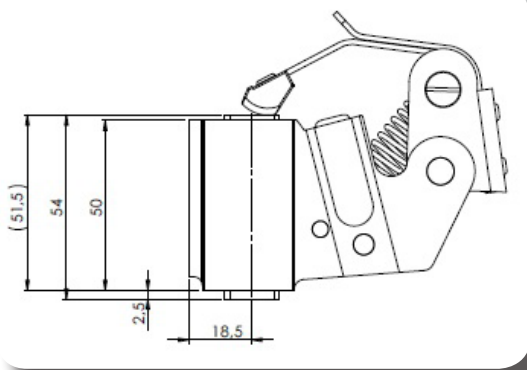
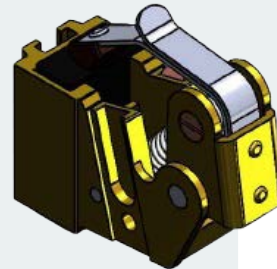
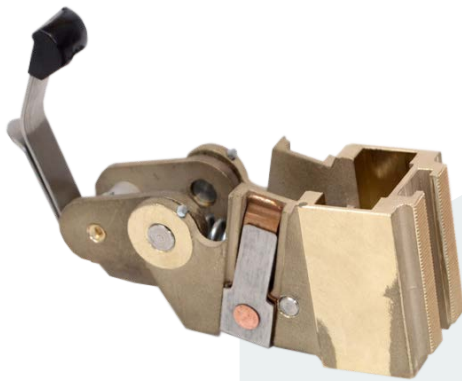
Pocket Brush Holder Traction Single 16 x 32

Pocket brush holder for traction motors with brush dimensions 16 x 32 x max 54 mm.

Very stable assembly made of homogeneous cast brass.

Standard connection for cable shoe and cushion on holder arm for alignment with top of brush.

Keyway for vertical locking. Grooved alignment surfaces for safe attachment.



Item Number.	Product type	Brush dim. (mm)		
		t	a	r
130611632	Carbon pocket 4395571-6DA133 8-1632	16	32	max 54

